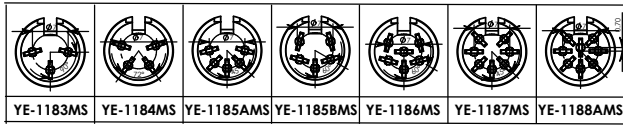
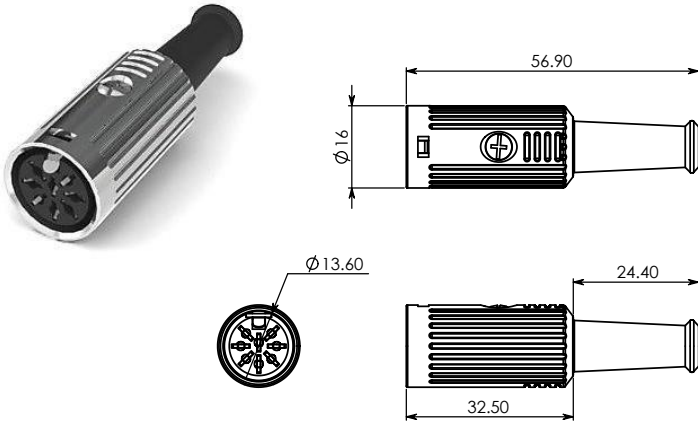


YE-118XMS DIN CABLE JACK METAL SHIELD PUSH LOCKING ASS'Y



MATERIAL:

1. SHELL COVER : Zn ALLOY NICKEL PTD.
2. STRAIN BOOT: TPR
3. "T" HOLDER : STEEL NICKEL PTD.
4. GND CONTACTOR : PHOSPHOR BRONZE NICKEL PTD.
5. SETSCREW: STEEL NICKEL PTD.
6. HOUSING : PA66
7. TERMINALS : COPPER SILVER PTD.

SPECIFICATION :

Rating : 100V AC 1A max.

Contact Resistance :

Pins 30mΩ max.

Shell 50mΩ max.

Insulation Resistance :

100MΩ at 500V DC min.

Voltage Withstand :

250V AC for 1 minute



YE-1183MS



YE-1184MS



YE-1185AMS



YE-1185BMS



YE-1186MS



YE-1187MS



YE-1188AMS